

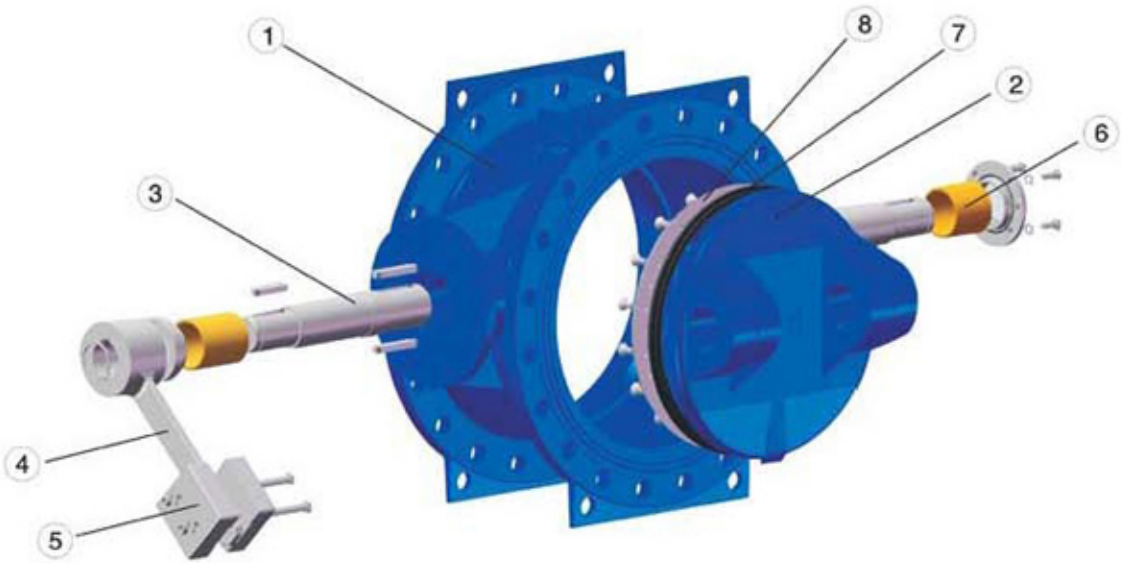
Products Introduction

Tilting Disc Check Valve

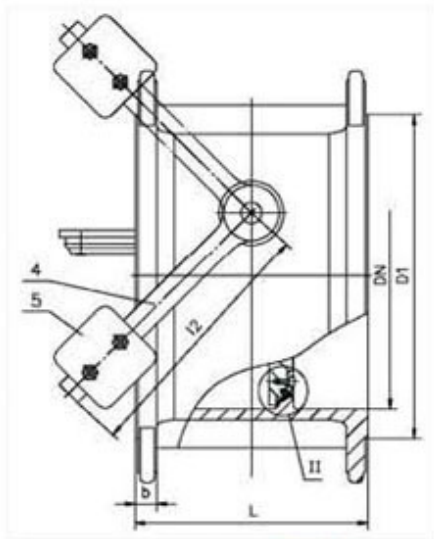
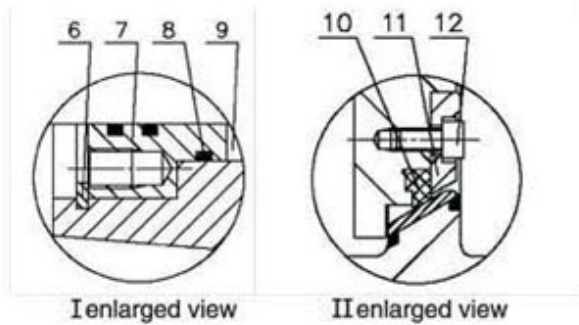
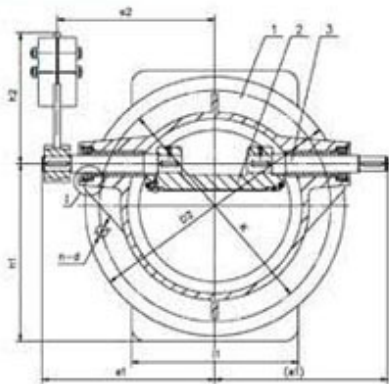
HD41Xb Tilting disc check valve



Design standard:BS5155
Face to face dimension to DIN3202 F4
Flanges and drilling to EN 1092-2,DIN 2501,BS4504



Sr.no	Component	Sr.no	Component
1	Body	5	Counterweight
2	Disc	6	Shaft bearing
3	Shaft	7	Disc seal ring
4	Lever	8	Retainer ring



Component list:

Sr.no	Part name	Material
1	Body	Ductile iron
2	Disc	Ductile iron
3	Shaft	SS420
4	Lever	Ductile iron
5	Counterweight	GG25
6	Resilient ring	65Mn
7	Seal cover	SS304
8	O-ring	NBR/EPDM
9	Shaft bearing	Al-bronze
10	Disc seal ring	EPDM
11	Retainer ring	SS304
12	Hex.bolt	SS304

(Other materials are available on request)

Suitable medium:

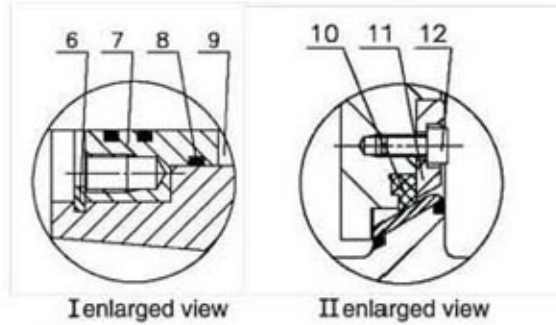
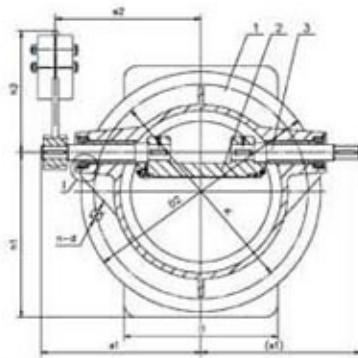
water and low-corrosive liquid etc.

Suitable temperature: -10-120°C.

Dimensions/PN10

DN	L	I1	I2	e1	e2	h1	h2	D2	b	D1	K	n-d
100	190		200	192	160	135	189	220	19	156	180	8-Φ19
150	210		200	238	206	180	189	285	19	211	240	8-Φ23
200	230		200	263	231	220	189	340	20	266	295	8-Φ23
250	250		300	313	276	265	280	400	22	319	350	12-Φ23
300	270		300	326	289	305	280	455	24.5	370	400	12-Φ23
350	290	250	400	388	346	357	372	505	24.5	429	460	16-Φ23
400	310	370	400	418	376	395	372	565	24.5	480	515	16-Φ28
450	330	430	450	470	420	440	405	615	25.5	530	565	20-Φ28
500	350	475	500	495	453	490	460	670	26.5	582	620	20-Φ28
600	390	570	600	592	540	580	555	780	30	682	725	20-Φ31
700	430	590	700	688	623	635	642	895	32.5	794	840	24-Φ31
800	470	660	800	715	656	713	735	1015	35	901	950	24-Φ34
900	510	680	900	825	740	795	830	1115	37.5	1001	1050	28-Φ34
1000	550	700	1000	832	764	890	920	1230	40	1112	1160	28-Φ37
1200	630	850	1200	1000	900	1042	1087	1455	45	1328	1380	32-Φ41
1400	710	1000	1400	1246	1100	1200	1280	1675	46	1530	1590	36-Φ44

If there is any request for larger sizes, please contact us in detail.



I enlarged view

II enlarged view

Component list:

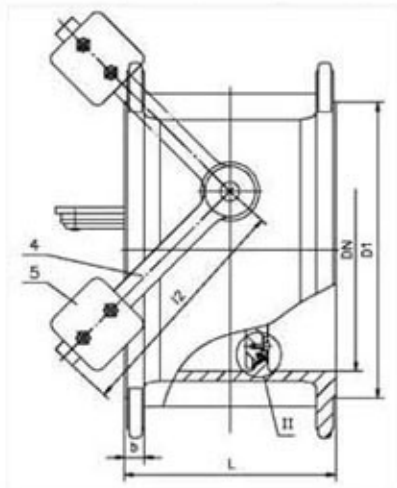
Sr.no	Part name	Material
1	Body	Ductile iron
2	Disc	Ductile iron
3	Shaft	SS420
4	Lever	Ductile iron
5	Counterweight	GG25
6	Resilient ring	65Mn
7	Seal cover	SS304
8	O-ring	NBR/EPDM
9	Shaft bearing	Al-bronze
10	Disc seal ring	EPDM
11	Retainer ring	SS304
12	Hex.bolt	SS304

(Other materials are available on request)

Suitable medium:

water and low-corrosive liquid etc.

Suitable temperature:-10-120°C.



Dimensions/PN16

DN	L	11	12	e1	e2	h1	h2	D2	b	D1	K	n-d
100	190		200	192	160	135	189	220	19	156	180	8-Φ19
150	210		200	238	206	180	189	285	19	211	240	8-Φ23
200	230		200	263	231	220	189	340	20	266	295	12-Φ23
250	250		300	313	276	265	280	400	22	319	355	12-Φ28
300	270		300	326	289	305	280	455	24.5	370	410	12-Φ28
350	290	250	400	388	346	357	372	520	26.5	429	470	16-Φ28
400	310	370	400	418	376	395	372	580	28	480	525	16-Φ31
450	330	430	450	470	420	440	405	640	30	548	585	20-Φ31
500	350	470	500	495	453	490	460	715	31.5	609	650	20-Φ34
600	390	570	600	592	540	580	555	840	36	720	770	20-Φ37
700	430	590	700	688	623	635	642	910	39.5	794	840	24-Φ37
800	470	660	800	715	656	713	735	1025	43	901	950	24-Φ41
900	510	680	900	825	740	795	830	1125	46.5	1001	1050	28-Φ41
1000	550	700	1000	832	764	890	920	1255	50	1112	1170	28-Φ44
1200	630	850	1200	1000	900	1042	1087	1485	57	1328	1390	32-Φ50
1400	710	1000	1400	1246	1100	1200	1280	1685	60	1530	1590	36-Φ50

If there is any request for larger sizes, please contact us in detail.